

Figure 1 Steel Bookcase

## Steel Bookcase

### A. Product Dimensions

Height: 920mm  
Width: 1220mm  
Depth: 430mm

Shelf capacity: 95kg UDL per shelf

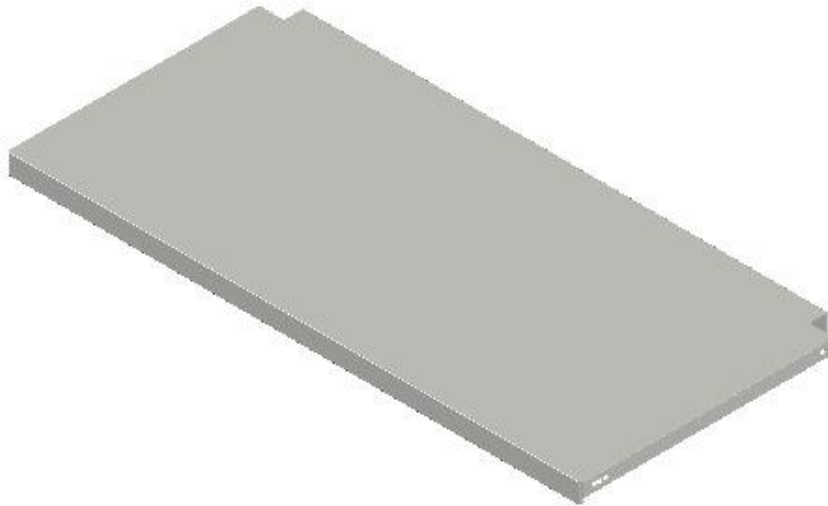
U.D.L. Uniformly distributed load = the shelf, beam and bay capacities vary depend on the beam length. Indicative weights are as shown above and based on your shelving configuration.

## Key Features

- Fully assembled bookcase, just click in shelves.
- Heavy duty – Bookcase manufactured from 1.6mm steel
- Adjustable Shelves
- Powder coated finish: Black or White or contact us directly.
- Indoor use only

*For any variation to the size or colour, please call our Keylar Team directly we're happy to help.*

## B. Components



**Figure 2 Bookcase Shelf**



**Figure 3 Magic clip**

## C. Assembly Instructions

Steel bookcases come fully assembled, just click in shelves. See diagram.

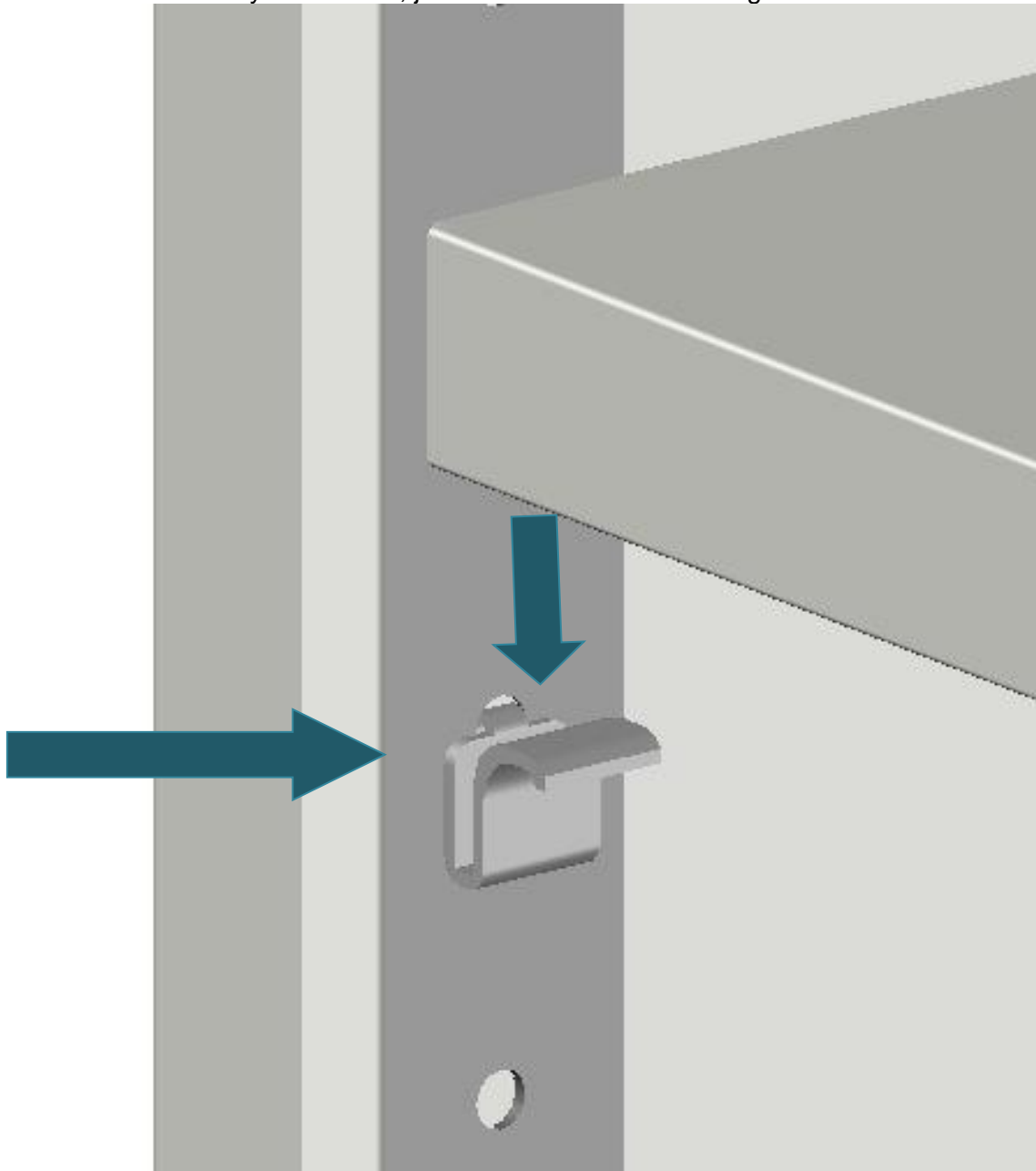


Figure 4 Shelves click in

## Package Measurements and Weight

- Configuration: Single Sided
- Bay Height: 920mm
- Shelf Width: 1220mm
- Shelf Depth: 450mm
- Weight: 48kg

## Care Instructions

- Wipe clean with a mild soapy solution.
- Wipe dry with a clean cloth.

## Our Planet

The steel in this product may be recyclable. Please check the recycling rule in your community for recycling facilities.