

Keylar Garage Mesh Panel

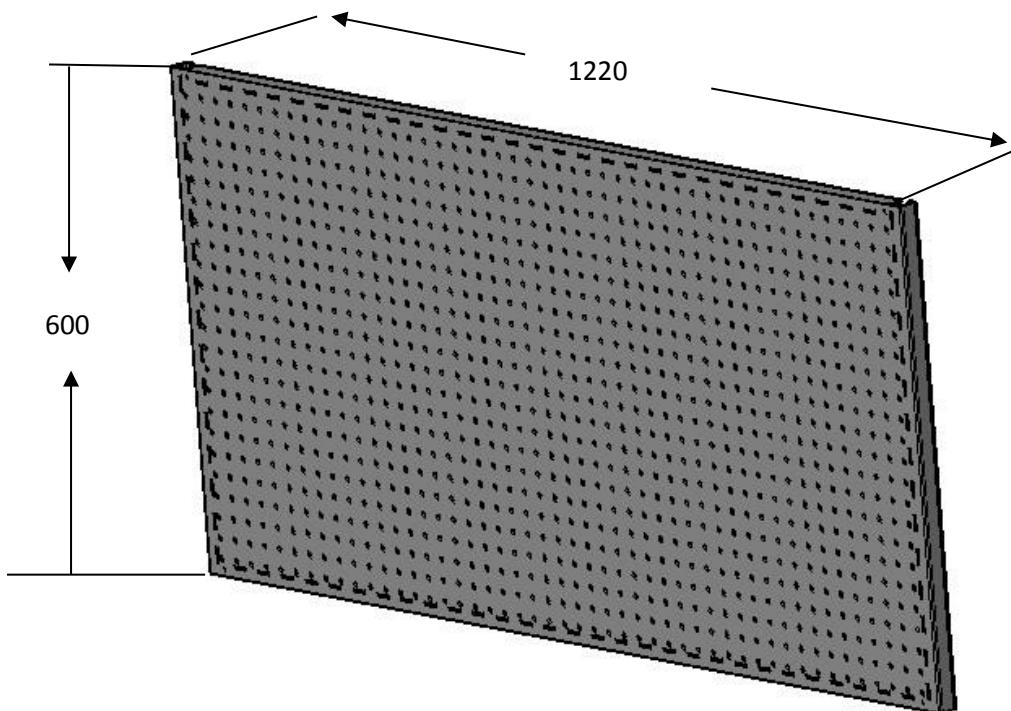


Figure 1. Mesh Panel

Keylar's Garage mesh panel is a useful accessory to store various tools and accessories in a handy location.

This product requires some assembly

Product Dimensions

The overall dimension of the panel is 1220mm x 600mm. It is made from 0.8mm perforated steel mesh and is heavy duty.

Key Features

The perforated steel mesh panel is easily screwed to your wall using wall mates or similar. The panel supports the use of metal board hooks to display various tools. For your convenience the panel comes with a row of slots at each end making it compatible with all our light duty shelf accessories. Please contact the Keylar Team should you require an alternative colour or different size of mesh panel.

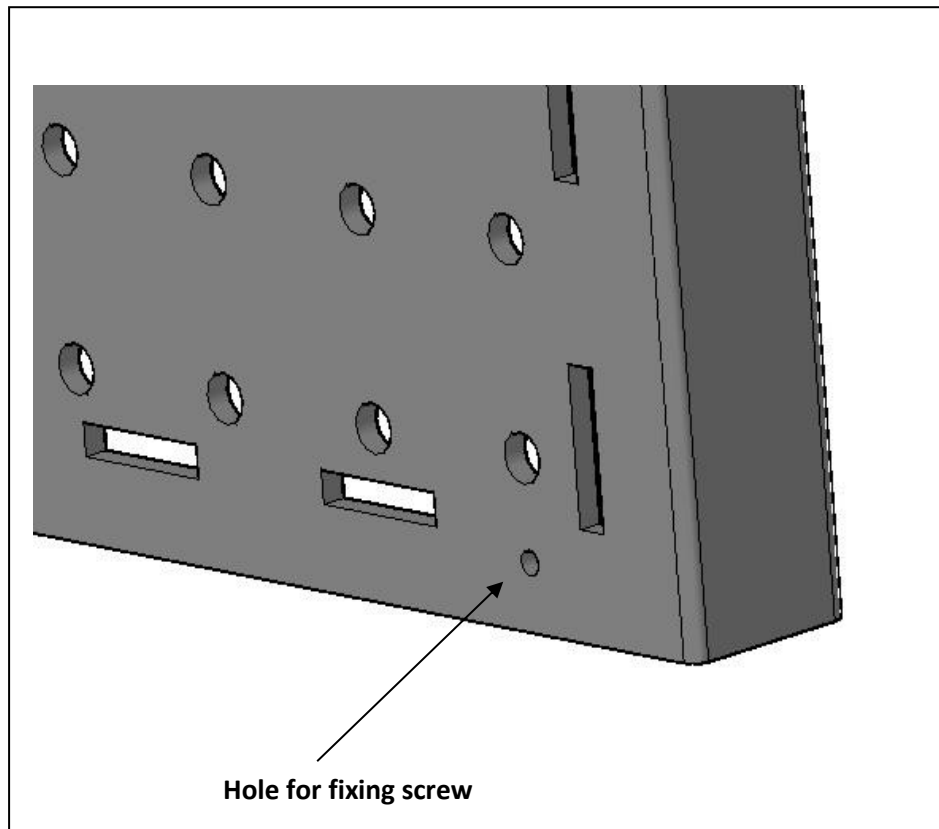
Good to know

You can purchase many useful accessories for this product.

Keylar Garage Mesh Panel

Powder coated (45-50 microns thickness) steel

Colour Black



Assembly Instructions

The Garage mesh panel can be fixed anywhere to your wall using the appropriate wall fixings purchased from your local hardware.

Care Instructions

Wipe clean with a mild soapy solution.
Wipe dry with a clean cloth.