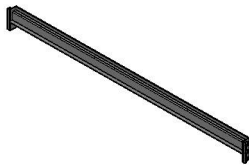


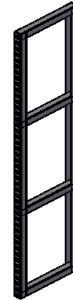
## Keylar Archive Shelving

### A. Components

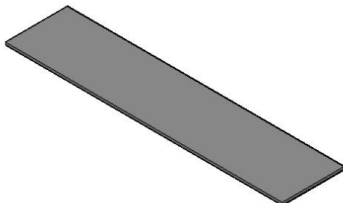
8pcs x Step Beams



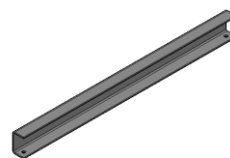
2pcs x End Frames



4pcs Boards or Steel Shelves



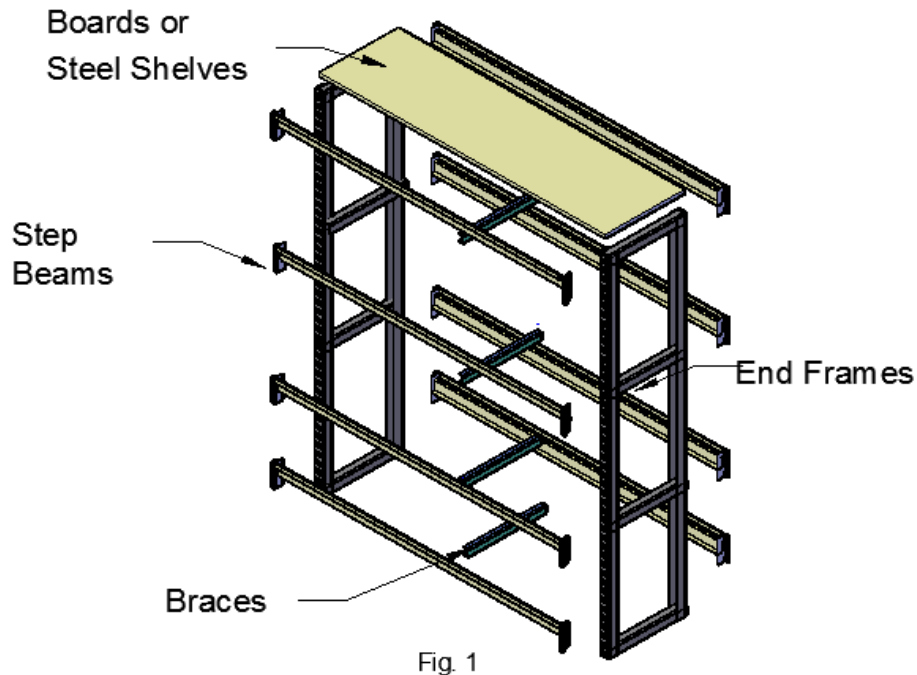
4pcs x Braces



## Keylar Archive Shelving

Keylar archive shelving is a hand loaded and unloaded system. Whilst mechanical devices maybe useful for gaining access to higher storage levels, the placement of products is a manual process.

*This product requires some assembly*



Keylar Archive Shelving

### B. Product Dimensions

Bay Height:	1800mm
Beam Length:	1800mm
Bay Depth:	400mm
Shelf Weight Loadings:	Depends on the length of beam.
Indicative Weights:	1800mm - 360 kg U.D.L.

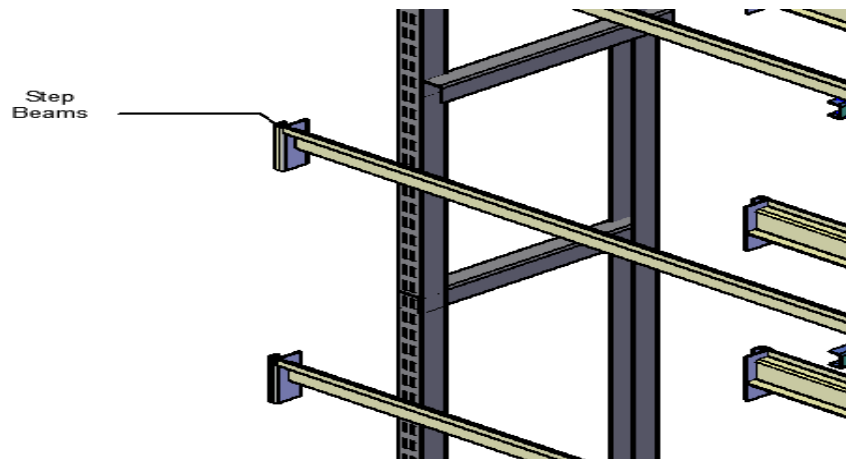
*U.D.L. Uniformly distributed load = the shelf, beam and bay capacities vary depend on the beam length. Indicative weights are as shown above and based on your shelving configuration.*

Colour – Oyster Grey  
Indoor Use Only

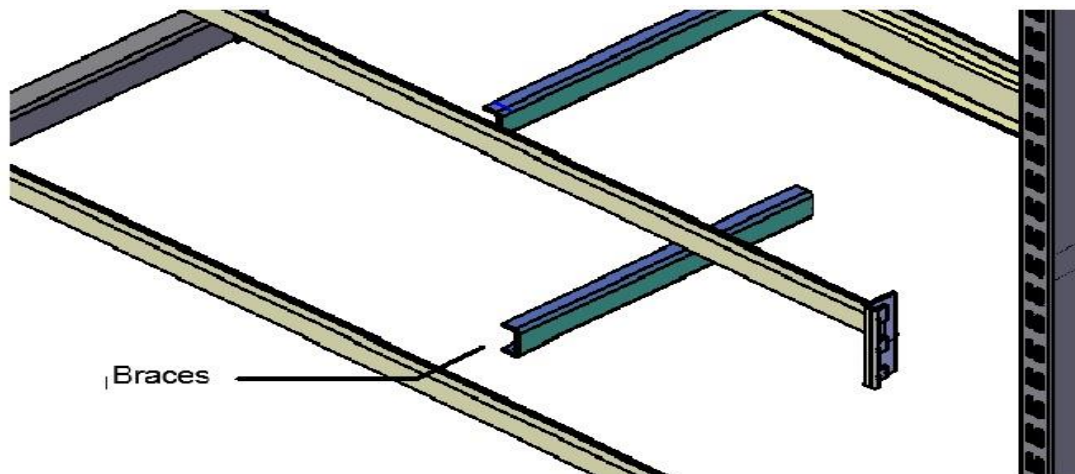
## C. Assembly Instructions

Equipment – rubber mallet

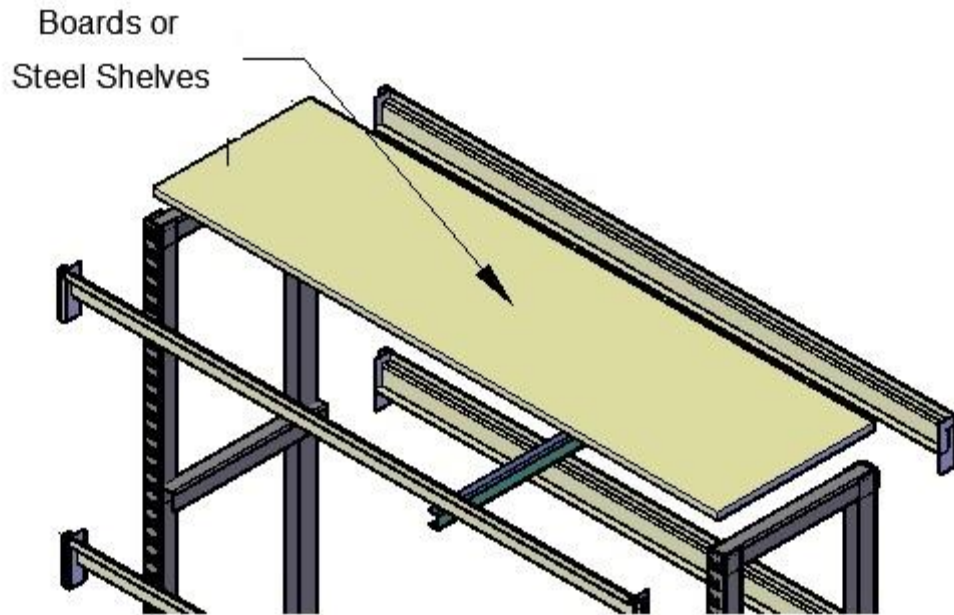
The beams are fully adjustable along the height, simply clip into the end frames to support a 16mm timber or 1.6mm thick steel shelf.



1. Stand the end frames and clip in one beam at a time starting at the base level of the end frames.
2. Clip in the remaining front and rear beams at the desired heights.



3. Fix beam brace to each level with supplied nut and bolt at the centre of the beam through the pre drilled hole.



4. Lay the boards directly on top of the beams.
5. If using steel shelves lay the steel shelf over the top of the beams.

#### D. Care Instructions

- Wipe clean with a mild soapy solution (if necessary).
- Wipe dry with a clean cloth.