



Kayak Stands

The Kayak stands are designed for convenience and performance in mind. They are practical and offer a convenient method of storage for two Kayaks.

This product requires some assembly.

Product dimensions

Height 1630mm

Width 1006mm

Depth 430mm

Key Features

The Kayak stands are space saving, double level and free standing storage design that offers strength and stability.

The Kayak stand comes with adjustable feet to allow for uneven floors.

The frame is constructed using 31.8mm square tube and the Kayak supports are made using 25mm round tube.

For added protection of your Kayak the supports are covered with a foam tubing.

This compact design allows for plenty of room if you are storing your Kayaks in the garage.

Good to Know

The finish on all stands is an advanced quality polyester powder coating, which gives a more durable, harder and scuff resistant finish to the stands but is not corrosion resistant, so it is advisable that the Kayak's are washed thoroughly and dried before storing to preserve the life of the stand.

Indoor use only

Standard colour - Oyster Grey
Any non-standard colours are available at a surcharge
All powder coating is done in-house.

Components**4 x Foam Grips****1 x Brace****4 x Bolts****2 x End Frames****4 x Adjusters**

Figure 1 Foam Grip

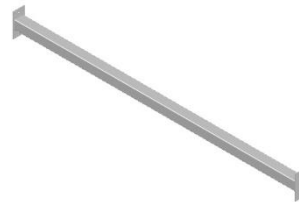


Figure 2 Brace



Figure 3 Adjuster



Figure 4 Bolt

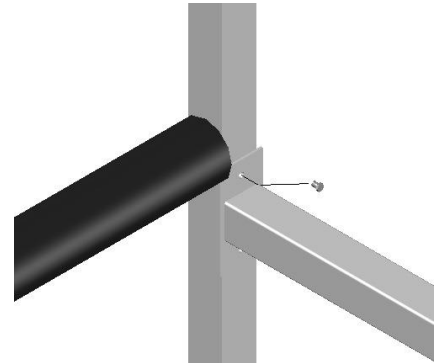
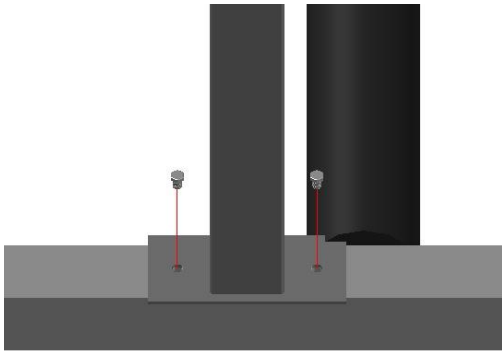


Figure 5 End Frame

Assembly Instructions

Tools required: A screwdriver and a small shifter.

1. Lay one end frame on its back on the ground.
2. Bolt through the brace end and through the end frame using two nuts and bolts supplied for each end.
3. Lay the other end frame on its back on the ground and repeat the bolting process and tighten.
4. Stand the frame upright into position and regulate the adjuster feet to square the frame to the wall.
5. Place the bottom Kayak on the frame first and then the second Kayak on the top level.



7

